



**2011 Evaluation Form**  
***Adventurer Series***  
***AS 2600***

AGE: 14+ YEARS  
 INSEAM: 25"+

Therapy made fun! The Adventurer, in single and tandem styles, brings cycling to life for everyone. The Adventurer's walk-through design and step-on platform make getting on as easy as sitting down in a comfortable chair.



**FREEDOM**  
 Concepts  
 Inc.™

SMILES THAT LAST!



AS 2600

**ADVENTURER  
 AS 2600**

Rider Age (Years)	14+
Rider Inseam	25"+
Max. Load (lbs)	350
Bike Weight (lbs)	68
Wheel Size	26"
Frame Height	32"
(without Seat)	
Total Length	72"*
(*with Rear Steering add 12")	
Bike Width	35"
Rider Height	6' 0"+
Rider Weight (lbs)	200+

***Creating a CYCLE of mobility***  
 1.800.661.9915 ◀ [www.freedomconcepts.com](http://www.freedomconcepts.com)



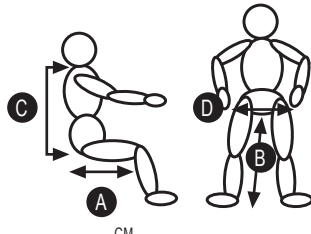


# AS 2600

AGE: 14+ YEARS INSEAM: 25"+



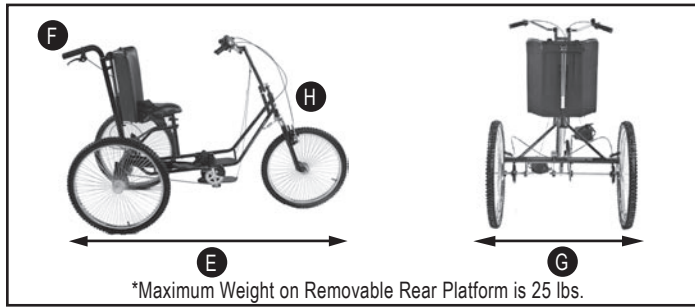
<b>RIDER INFORMATION</b>		<input type="checkbox"/> Male	<input type="checkbox"/> Female
Rider's Name: _____			
Date of Birth: MONTH _____ /DAY _____ /YEAR _____			
Diagnosis: _____			
Weight: _____ LBS. _____ KGS.		Height: _____ INCHES _____ CM	
A. Seat Depth: _____ INCHES _____ CM			
B. Inseam: _____ INCHES _____ CM			
C. Back Height: _____ INCHES _____ CM			
D. Seat Width: _____ INCHES _____ CM			
THERAPIST'S Name: _____			
Phone: _____			
Fax: _____			
Email: _____			



<b>FRAME CHOICE</b>	
AS 2600	
Custom Frame	ADD
Removable Rear Platform* (required for Sun-Shade Canopy)	

<b>REAR STEERING</b>	
Rear Steering	
<b>TOTAL</b>	

E. Total Length: 72"  
 F. Rear steering allows bike to be controlled from the rear, this adds 12" to the length of the model.  
 G. Width: 35"  
 H. Steering head tube unlocks/locks steering

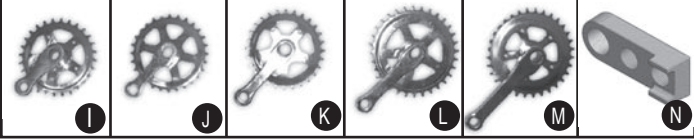


<b>COLOR CHOICE</b>	
<input type="checkbox"/> Metallic Blue	<input type="checkbox"/> Black (STD)
<input type="checkbox"/> Amber-NEW!	<input type="checkbox"/> Blue <input type="checkbox"/> Red <input type="checkbox"/> Yellow (N/C)
<input type="checkbox"/> Candy Blue	<input type="checkbox"/> Grape <input type="checkbox"/> Hot Rod Purple
<input type="checkbox"/> Metallic Orange-NEW!	<input type="checkbox"/> Pink
Other Custom Color	
Sticker Type	
Please note extra delivery time for N/C & custom colors.	

<b>PROPULSION</b>	
Direct Drive	(STD)
Free Wheel	
Manual Free Wheel/ Direct Drive Reciprocator System	
Multi Speed Option (Sprocket Size 11-34)	
Shift Lever Location	<input type="checkbox"/> RIGHT <input type="checkbox"/> LEFT (N/A)

<b>PEDAL POWER (For Single Speed only)</b>	
Easy	
Average	(STD)
Challenging	

<b>CRANK ARM LENGTHS - RANGE OF MOTION</b>		
Shorter range is suitable for limited knee flexion.		
I. 2.5"	(N/C)	(N/A)
J. 3"	(N/C)	(N/A)
K. 3.5"	(N/C)	(N/A)
L. 4"	(N/C)	
M. 5"	(STD)	
N. Multi-Crank Length Adapter 4 7/8" Cranks		








<b>BOTTOM BRACKET WIDTH</b>	
O. Standard Crank 6" Wide	(STD)

<b>BOTTOM BRACKET POSITION</b>	
<input type="checkbox"/> Standard (5")	OR
<input type="checkbox"/> Custom _____ INCHES _____ CM	
P. Position of bottom bracket in relation to the seat post.	

COMMENTS
----------

WE CAN CUSTOM BUILD BASED ON YOUR SPECIFIC NEEDS!	<b>PAGE SUB-TOTAL</b>
---	-----------------------

WHEELS	
<input type="checkbox"/> Q. 26" Aluminum (24" Front Wheel) (STD)	
<input type="checkbox"/> R. 26" Mega Spoke (24" Front Wheel) (While Supplies last)	
<input type="checkbox"/> S. Spoke Covers (set of three)	
 <b>Q</b>	 <b>R</b>
 <b>S</b>	 <b>T</b>
 <b>U</b>	

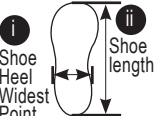






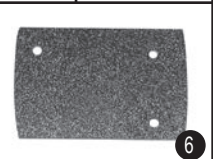

TIRES	
<input type="checkbox"/> T. Smooth (N/A)	
<input type="checkbox"/> U. Knobby (STD)	

FORK	
<input type="checkbox"/> Chrome Fork (STD)	
<input type="checkbox"/> Suspension Fork <input type="checkbox"/> Silver <input type="checkbox"/> Yellow (N/A) (Required when Disc Brakes are ordered)	

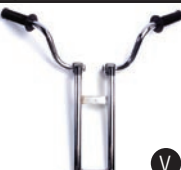
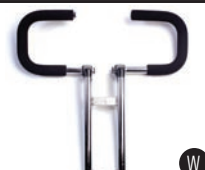

BRAKE LEVER POSITION		
<input type="checkbox"/> Parking Brake (Right Rear Wheel) (N/A)		
<input type="checkbox"/> Second Parking Brake (Left Rear Wheel) (N/A)		
LEVER POSITIONING	FRONT BRAKE	REAR BRAKE
<input type="checkbox"/> Left Handlebar	<input type="checkbox"/>	<input type="checkbox"/>
<input type="checkbox"/> Right Handlebar	<input type="checkbox"/>	<input type="checkbox"/>
<input type="checkbox"/> Rear Assistance (T-bar)	<input type="checkbox"/>	<input type="checkbox"/>
<input type="checkbox"/> Rear Steering Handle	<input type="checkbox"/>	<input type="checkbox"/>







BRAKE OPTIONS		
FRONT BRAKE	REAR BRAKE	
<input type="checkbox"/> Vee Brakes (STD)	<input type="checkbox"/> Disc Brakes (STD)	
<input type="checkbox"/> Disc Brakes *Must have Suspension Fork		

PEDALS	
Measure Rider's Shoe: i) _____ INCHES _____ CM ii) _____ INCHES _____ CM OR TRACE OUTLINE OF RIDER'S SHOE ON A PIECE OF PAPER & SUBMIT w/ORDER.	
<input type="checkbox"/> 1. Mountain Style Pedal (STD)	
<input type="checkbox"/> 2. Mountain Style with Cage	
<input type="checkbox"/> 3. Neoprene Adjustable Footplate* <input type="checkbox"/> S <input type="checkbox"/> M <input type="checkbox"/> L <input type="checkbox"/> XL	
<input type="checkbox"/> 4. Molded ABS Footplate System* <input type="checkbox"/> XS <input type="checkbox"/> S <input type="checkbox"/> M <input type="checkbox"/> L <input type="checkbox"/> XL	
<input type="checkbox"/> 5. Pulley System (FRONT: corrects plantar flexion) Pulley System (REAR: self-leveling pedals)-NEW!	
<input type="checkbox"/> 6. 0.25" Footplate Spacers Qty: _____ /Pedal (/UNIT)	
<input type="checkbox"/> 7. Abductor Leg Brace *includes #5 Molded ABS Footplate <input type="checkbox"/> S <input type="checkbox"/> M <input type="checkbox"/> L (/EA) Please specify <input type="checkbox"/> Left or <input type="checkbox"/> Right	


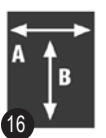





 <b>i</b> Shoe Heel Widest Point	 <b>ii</b> Shoe length	 <b>1</b>	 <b>2</b>	 <b>3</b>	 <b>4</b>
 <b>5</b>	 <b>6</b>	 <b>7</b>			

CHAIN GUARD	
<input type="checkbox"/> Heavy Duty Steel Chain Guard (STD)	
<input type="checkbox"/> ABS Enclosed Chain Guard	

HANDLE BARS <input type="checkbox"/> Steering Locked <input type="checkbox"/> Steering Unlocked	
<input type="checkbox"/> V. High Rise (N/C)	
<input type="checkbox"/> W. Hoop (STD)	
<input type="checkbox"/> X. Wide (N/C)	
<input type="checkbox"/> i. Nameplate <input type="checkbox"/> Special Dedication <input type="checkbox"/> Company Logo	
 <b>V</b>	 <b>W</b>
 <b>X</b>	

SEAT BASE	
<input type="checkbox"/> 8. Adult Seat (16.75" width, 14" depth) (STD)	
<input type="checkbox"/> 9. Adult Narrow	
<input type="checkbox"/> 10. Add 2" Raised Pommel to seat selection above	
<input type="checkbox"/> 11. Custom (measurements) A. _____ inches _____ cm B. _____ inches _____ cm	
<input type="checkbox"/> 12. Hip Belt, 2" wide (Large) (STD)	
<input type="checkbox"/> 13. Neoprene Hip Stabilizer Belt	
 <b>8</b>	 <b>9</b>
 <b>10</b>	 <b>11</b>
 <b>12</b>	 <b>13</b>




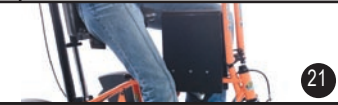

BACK REST	
<input type="checkbox"/> 14. Adult Low Back - (17" width, 7.5" height) (STD)	
<input type="checkbox"/> 15. Adult High Back - (17" width, 18" height)	
<input type="checkbox"/> 16. Custom A. _____ INCHES _____ CM B. _____ INCHES _____ CM	
<input type="checkbox"/> Chest Strap High Back only (STD)	
<input type="checkbox"/> 17. FCI Removable Head Rest	
<input type="checkbox"/> 18. FCI Adjustable Head Rest	
<input type="checkbox"/> 19. Custom - Custom Mount of Head Support Bracket (Template required) A. _____ INCHES _____ CM B. _____ INCHES _____ CM	
<input type="checkbox"/> 20. Lateral Support Bracket complete w/Track <input type="checkbox"/> S <input type="checkbox"/> L (/EA) C. CHEST WIDTH _____ INCHES _____ CM D. SEAT TO ARM PIT _____ INCHES _____ CM	

 <b>14</b>	 <b>15</b>	 <b>16</b>	 <b>17</b>	 <b>18</b>	 <b>19</b>
 <b>20</b>					
<input type="checkbox"/> Simulated Sheepskin Seat Cover <input type="checkbox"/> Child <input type="checkbox"/> Adult					
<input type="checkbox"/> i2i Neck & Headrest with Support Bracket NOTE: Please specify size as per brochure.					

Notes:

WE CAN CUSTOM BUILD BASED ON YOUR SPECIFIC NEEDS!

PAGE SUB-TOTAL

<b>CHEST HARNESS</b>		
<input type="checkbox"/> Neoprene Chest Harness - Medium		
<input type="checkbox"/> Neoprene Chest Harness - Large		
<input type="checkbox"/> Neoprene Chest Harness - Extra Large		
<b>GLOVES</b>		
<input type="checkbox"/> X Small <input type="checkbox"/> Small <input type="checkbox"/> Medium <input type="checkbox"/> Large		
Custom		
A. Measure width of palm _____ INCHES _____ CM		
B. Measure width of wrist _____ INCHES _____ CM		
C. Measure bend of wrist to top of middle finger _____ INCHES _____ CM		
Hand Tracing Required		
<b>STATIONARY TRAINER</b>		
<input type="checkbox"/> Indoor Stationary Trainer		
<b>ABDUCTOR/ADDUCTION</b>		
<input type="checkbox"/> 21. Abductor (Removable Leg Divider)		
<input type="checkbox"/> 22. Padded Leg Adduction Strap		
		
<b>ACCESSORIES</b>		
<input type="checkbox"/> Self Centering Spring <input type="checkbox"/> Locking Hand Brake (STD)		
<input type="checkbox"/> Safety Flag <input type="checkbox"/> Wheel Reflectors (STD)		
Animal Squeaky Horn (N/C)		
Multitool (sold separately) (STD)		
Bell (STD)		
Tool Pouch		
Waterbottle & Holder		
Tool Kit with Waterbottle Shaped Case		
Bike Covers		
Cane/Crutch Holder		
Oxygen Tank Holder (Specify Tank Size _____)		
Sun-Shade Canopy (Requires Rear Platform)		
Communication Tray		
Adjustable Rear Steer Extension Handle		
		Total - Page 3
		Total - Page 2
		Total - Page 1
		SUB-TOTAL
		Freight (crated)
		Residential Delivery
		Tax 1
		Tax 2
		Other
		<b>TOTAL</b>

<b>CUSTOMER INFORMATION</b>
Dealer/Vendor: _____
Contact Person: _____
Address: _____
City: _____ Prov./State: _____
Postal/Zip Code: _____ Ordered by: _____
Phone: _____ Fax: _____
Email: _____

<b>ORDER INFORMATION</b>
Purchase Order: _____
Order Date: _____ Quote Date: _____
FCI Representative: _____
Payment Terms: _____
CREDIT CARD (CHECK ONE) <input type="checkbox"/> Visa <input type="checkbox"/> MasterCard Exp. Date: _____
Card Number: _____
Name On Card: _____
Signature: _____

<b>SHIPPING INSTRUCTIONS</b>
Name: _____
Address: _____
City: _____
Province/State: _____
Postal/Zip Code: _____ Phone: _____
Federal ID/SS#: _____

<b>PRIVACY POLICY</b>
Freedom Concepts Inc. collects, uses and discloses personal information of the Customer and/or Rider to properly assemble and manufacture the mobility device and may contact the Rider's therapist for additional personal information to assist with this process. The collection, use and disclosure of the personal information of the Customer and/or the Rider is governed by any consent which may, from time to time, be provided, and by the Freedom Concepts Inc. Privacy Policy which is available on our website <a href="http://www.freedomconcepts.com">www.freedomconcepts.com</a> or by contacting our office. By signing below, you hereby warrant that you have the authority to bind the Rider and hereby authorize the collection, use, and disclosure of personal information as herein provided and in accordance with the Freedom Concepts Inc. Privacy Policy.

<b>TERMS &amp; CONDITIONS</b>
Prices are subject to change without notice. Prepaid or net 30 days O.A.C. All taxes extra. Freight extra. Manufacturer reserves the right to change prices, colors, features, dates, locations and products without notice. Residential delivery charge may apply. Duty and brokerage included where applicable.

CUSTOMER SIGNATURE
I hereby give permission to Freedom Concepts Inc. to use photographs of me or my child for the sole purpose of the company's promotional use, and will not be distributed to third parties. <input type="checkbox"/> YES <input type="checkbox"/> NO I would like to receive regular updates. <input type="checkbox"/> SNAIL MAIL <input type="checkbox"/> EMAIL <input type="checkbox"/> NO
SIGNATURE OF RIDER/PARENT